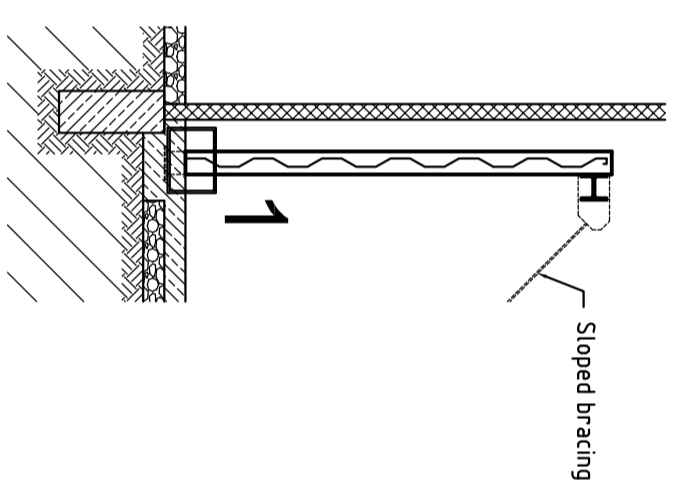
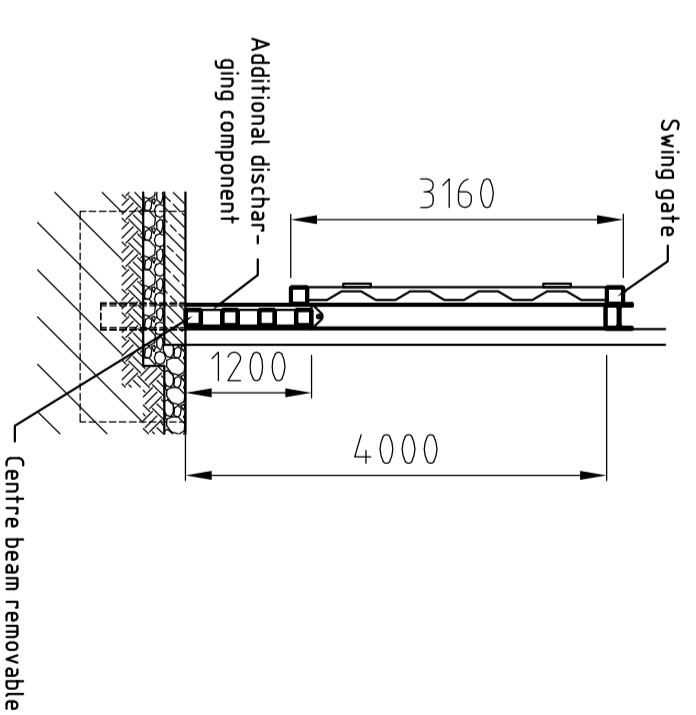


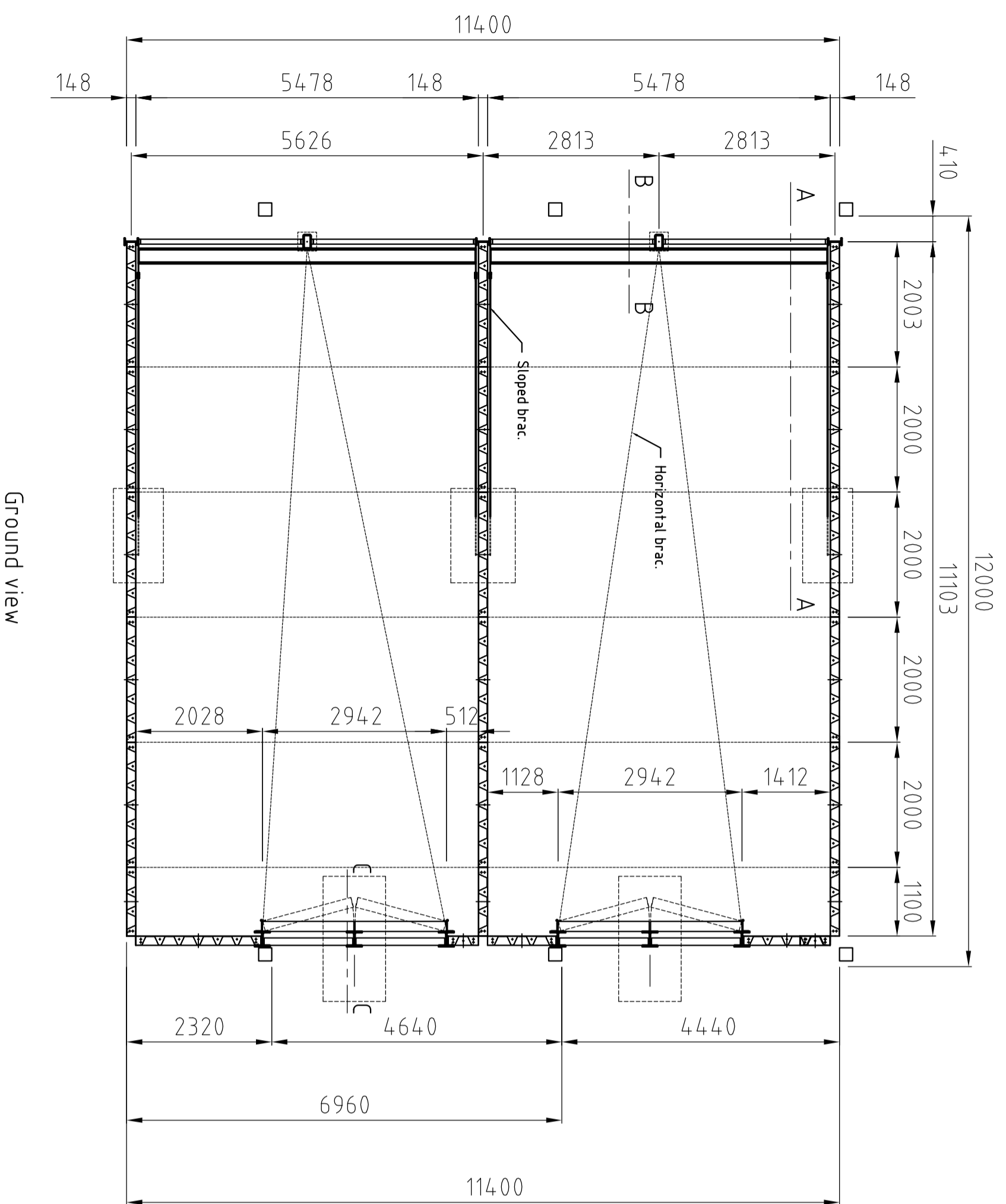
Sectional view A - A



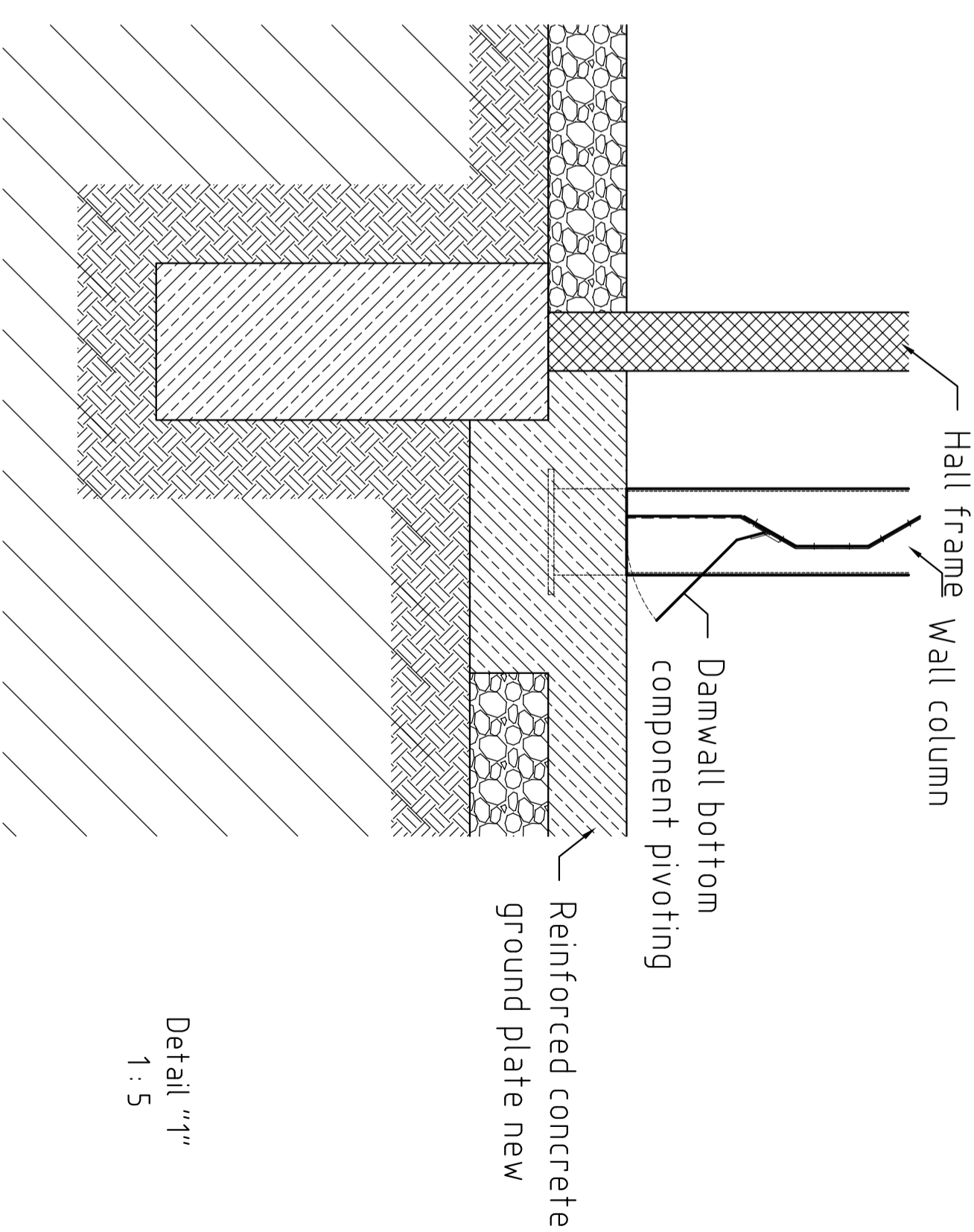
Sectional view B - B



Sectional view C - C



Ground view



Detail "1"
1 : 5

This drawing is just a sketch without guarantee and claim of completeness.
 The proportions of the assemblies are just rough estimated without having a static calculation.
 The exact dimensioning of the supporting components and assemblies will happen project - specific according to the details and drawings of the static calculation.
 The necessary earthworks, concrete works and the assembling of the plant will be carried out on-site by the customer.

Scheduled storage level : 4.00 m

schmalzer		DIN 1036		Material: 150, 110		Name: S 235 JR	
Adress: 36/02/13 Schäfer		Date: 26/02/13		Drawing: DX 510-Z		Scale: 1:5	
Zust: Änderung		Datum: 14.		Blatt: 4.2		Projekt: Farm Mac AB	
Zust: Änderung		Datum: 14.		Blatt: 4.2		Projekt: Grain storage with two different types of wall	
Zust: Änderung		Datum: 14.		Blatt: 4.2		Projekt: Preliminary draft	